



**Born
for
Warehouse**

“ Batman series linear high bay light is designed specially for warehouse. The rectangle shape light distribution saves 50% energy in comparison with standard highbay light which 50% of the light was wasted on the top of shelves ”



Born
for
Warehouse



Batman series linear high bay light is designed specially for warehouse. The rectangle shape light distribution saves 50% energy in comparison with standard highbay light which 50% of the light was wasted on the top of shelves



Two Line Light Design

Special lens and PCB design are used for our Galaxy Linear high bay light. Those make the light perfect straight line which provides good appearance and lower glaring light distribution.

170
LM/W



Chip **CREE** ⇄ Driver **OSRAM**



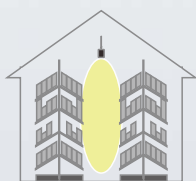
Pure Aluminum heatsink

3 beam angles for option

We provide 5 kinds of lens with different beam angles for option. To realize cost effective, suitable lens will be used for different project.



80x110°



30x90°

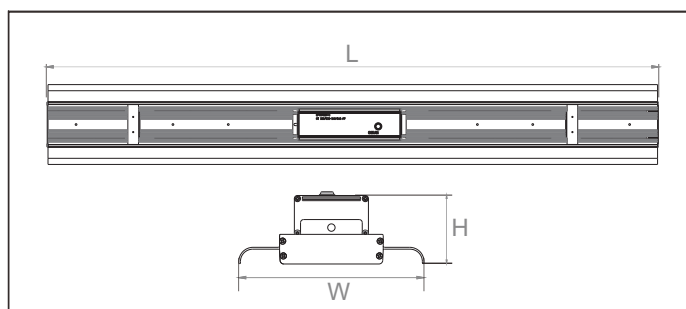


double sides
25°



Features

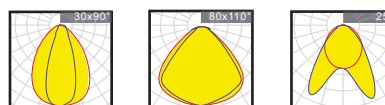
Housing: Pure Aluminum A6063
 Thermal Conductivity: 226 W/m·K
 Led: Cree
 CRI: Ra>70 (80/90 for option)
 SDCM: <6
 Power Factor: >0.95
 THD: <15
 Driver: Osram
 Driver Efficiency: >93%
 Protection: OTP, OCP, OVP, SCP
 Surge Protection: 10KV
 Waterproof: IP54
 Impact Test: IK08
 Electrical: 220-240V, 50/60Hz
 Operating Temperature: -40~60 °C
 Tm21: L90B10>70,000H
 Lifetime: 100,000H



Functions

ZigBee · PWM · DALI · 0/1~10V · Micro-wave · PIR

Optical options:

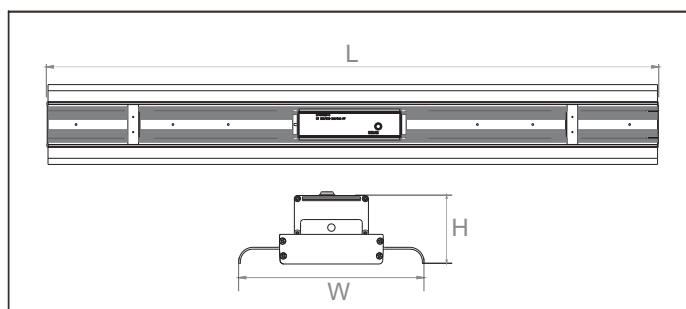


Model	Watt	Voltage	Lumen	CRI	IP	Dimension
BTM-100	100W	220~240V	17000LM	>70 (80)	IP54	L577*W150*H55.2MM
BTM-150	150W	220~240V	25500LM	>70 (80)	IP54	L862*W150*H55.2MM
BTM-200	200W	220~240V	34000LM	>70 (80)	IP54	L1148*W150*H55.2MM



Features

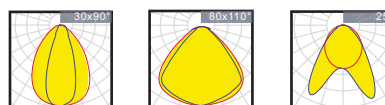
Housing: Pure Aluminum A6063
 Thermal Conductivity: 226 W/m·K
 Led: Cree
 CRI: Ra>70 (80/90 for option)
 SDCM: <6
 Power Factor: >0.95
 THD: <15
 Driver: Sosen
 Driver Efficiency: >93%
 Protection: OTP, OCP, OVP, SCP
 Surge Protection: 10KV
 Waterproof: IP54
 Impact Test: IK08
 Electrical: 100-277V, 50/60Hz
 Operating Temperature: -40~60 °C
 Tm21: L90B10>70,000H
 Lifetime: 100,000H



Functions

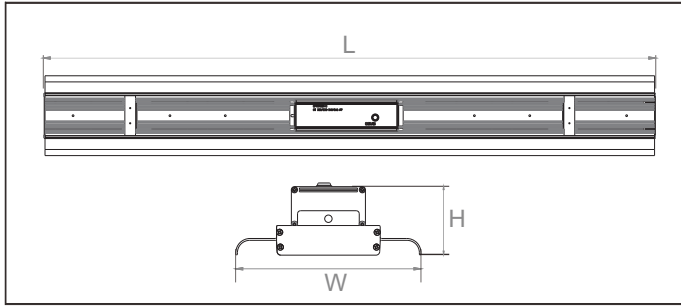
ZigBee · PWM · DALI · 0/1~10V · Micro-wave · PIR

Optical options:



Model	Watt	Voltage	Lumen	CRI	IP	Dimension
BTM-100	100W	100~277V	17000LM	>70 (80)	IP54	L577*W150*H55.2MM
BTM-150	150W	100~277V	25500LM	>70 (80)	IP54	L862*W150*H55.2MM
BTM-200	200W	100~277V	34000LM	>70 (80)	IP54	L1148*W150*H55.2MM

Packing



Model	Dimension(mm)			Outer Carton(mm)			QTY / Outer CTN	NW/CTN	GW/CTN
	Length	Width	Height	Length	Width	Height			
BTM-100	577	150	55.2	630	200	105	1	1.9	3.0
BTM-150	862	150	55.2	915	200	105	1	2.5	3.8
BTM-200	1148	150	55.2	1200	200	105	1	3.1	4.4