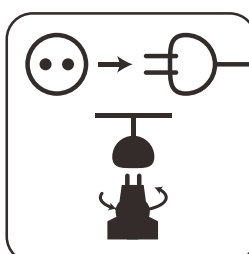
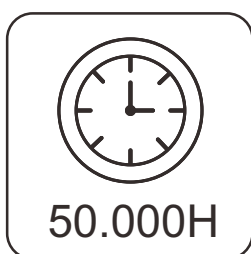


SAMURAI SERIES

LED UFO HIGH BAY



EUROPEAN DESIGN PATENT



Better Performance



Unique design & Anti-glaring Lens



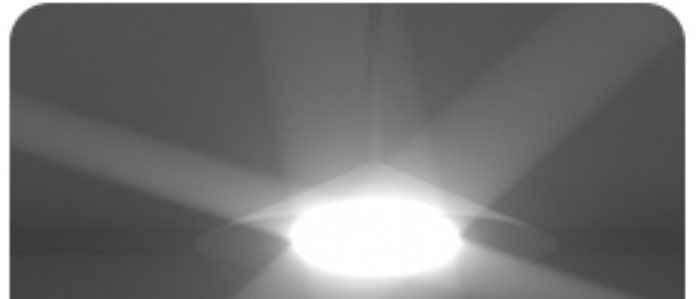
Unique Appearance Design
less market competition



Old Appearance Design
too much market competition



Anti-Glareing
more eye-protection



Normal High Bay
high glaring



More Flexible

It is not only a standard highbay but everything



Sensor Options

*Micro-wave
& Daylight*

*PIR
& Daylight*

PLUG-IN SENSOR

MOVEMENT DETECT



Range of exposure
120°

12m

18m

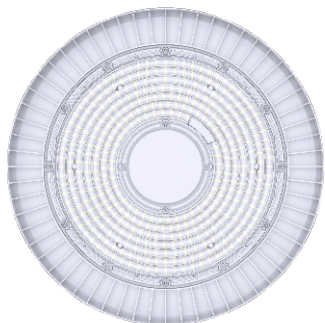


Plug-in Sensor

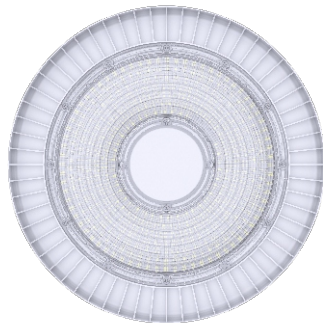
Natural Light Detect



Standard Version



90° lens

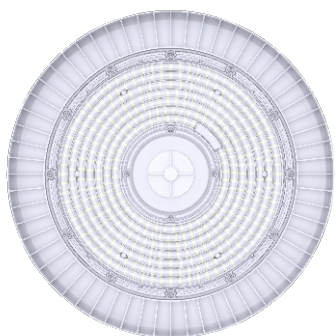


110° Anti-glare Lens

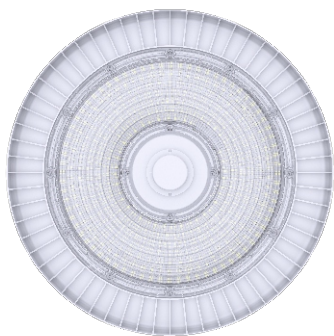


Without Sensor

Plug-in Sensor Version



90° lens



110° Anti-glare Lens



Sensor Available



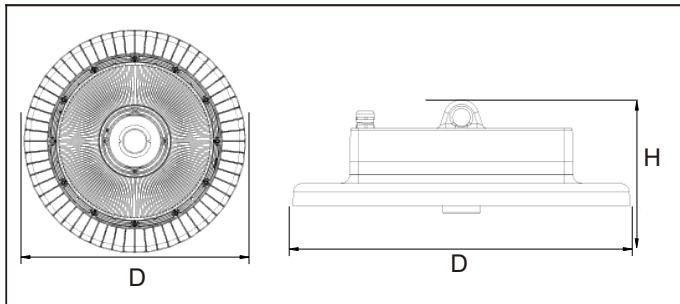
Efficiency
160lm/w

Philips LED + Sosen Driver
Long Lifetime 5 Years Warranty



Features

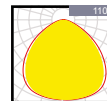
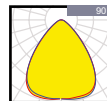
Housing: Die-cast
 Thermal Conductivity: 96 W/m · K
 Led: Philips
 CRI: Ra>80 (90 for option)
 SDCM: <6
 Power Factor: >0.95
 THD: <15
 Driver: Sosen
 Driver Efficiency: >93%
 Protection: OTP, OCP, OVP, SCP
 Surge Protection: 4KV
 Waterproof: IP65
 Impact Test: IK08
 Electrical: 100-277V, 50/60Hz
 Operating Temperature: -40~60 °C
 TM21: L90B10>50,000H
 Lifetime: 100,000H



Functions

ZigBee · PWM · 0/1~10V · Micro-wave

Optical options:



160 lm/w

5 YEARS WARRANTY

Sosen Driver

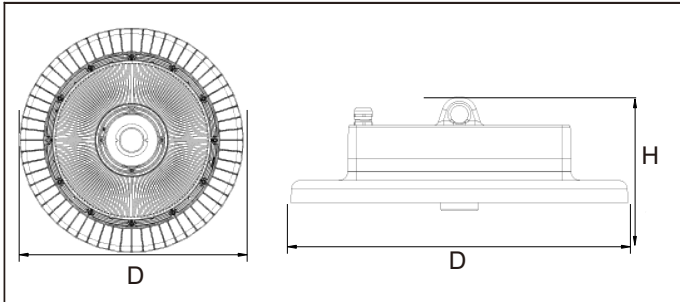
Philips LED

Model	Watt	Voltage	Lumen	CRI	IP	Dimension
SMR-UFO-100	100W	100~277V	16000LM	>80	IP65	D380*H130mm
SMR-UFO-150	150W	100~277V	24000LM	>80	IP65	D380*H130mm
SMR-UFO-200	200W	100~277V	32000LM	>80	IP65	D380*H130mm
SMR-UFO-240	240W	100~277V	38400LM	>80	IP65	D380*H130mm



Samurai series

Packing



Model	Outer Carton(mm)			QTY / CTN	NW/CTN	GW/CTN
SMR-UFO-100	450	450	170	1	2.50	3.70
SMR-UFO-150	450	450	170	1	2.60	3.80
SMR-UFO-200	450	450	170	1	2.70	3.90
SMR-UFO-240	450	450	170	1	2.70	3.90

